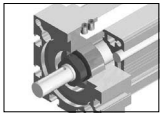
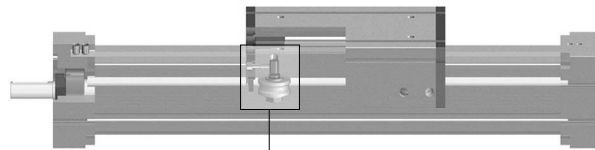
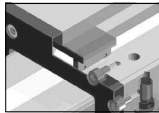


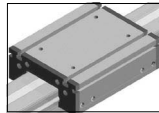
MZ series



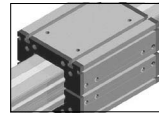
- Application with various axis combination is available
- Long life time
- Easy mounting with various mounting holes



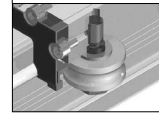
- Built-in stainless steel cover for dust proof



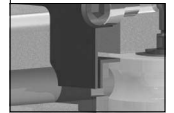
- **MZ 40/60/80/100**
Standard slider block
* Various length of slider based on customer's needs are available



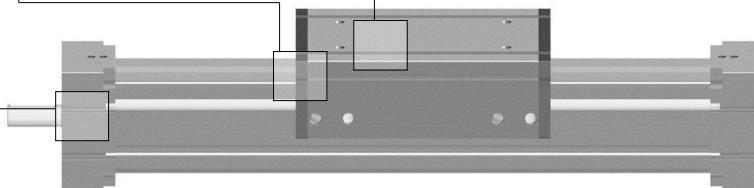
- **MZ 40/60/80/100-D (customized type)**
- Slider on the top and bottom
- More suitable for heavy payload
- Suitable for fixing slider and moving rail

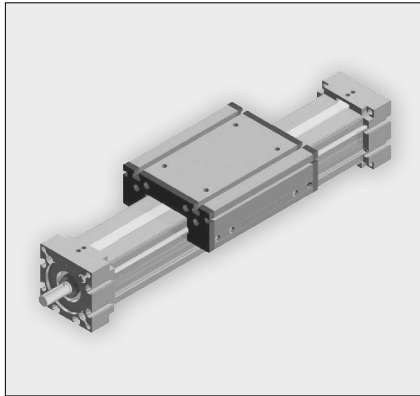


- Silent operation with high quality bearing steel shaft
- Preventing abrasion with chrome plated bearing steel
- Special bolts combination keeps appropriate pressure



- Felt wiper prevents stiffening after long time of operation
- Spring inside of seal keeps certain level of frictional resistance





Features

- Track roller guide & Ballscrew type unit
- High quality and resonable price
- Ball screw option
- Customized options
- Easy maintenance

How to order

① MZ ② 40 ③ S ④ - 600 - L1605 ⑤ S ⑥ - C ⑦ - D3 ⑧ - E2 ⑨ - ⑩ -

① Series

② Model

40 / 60 / 80 / 100

③ Slider option

S : STANDARD(4 roller bearings)

T : S + 2 additional bearings

H : S + 4 additional bearings

※ Please contact us for additional quantity of slider

④ Stroke (Unit : mm)

50 ~ 1500

※ Please contact us for longer stroke than standard

⑤ Ball screw

Symbol	Ball screw Type	Model			
		40	60	80	100
L1605	Rolled Ø16-5Lead	●			
L1610	Rolled Ø16-10Lead	●			
L2510	Rolled Ø25-10Lead		●	●	●
L2525	Rolled Ø25-25Lead		●	●	●
L3232	Rolled Ø32-32Lead				●

※ Please contact us for customized option

⑥ Color

Blank : White (outer)

S : White (outer) + Ball screw raydent

B : Black (outer)

BS : Black (outer) + Ball screw raydent

⑦ Sensor(dog included)

Blank : None

C : Photo sensor + Basic socket - Basic 3EA

CJ : C + Cable socket2M - Basic 3EA

Other than basic : C(J)(Q'ty) Example)C2,CJ2

⑧ Mounting bracket

Blank : None

D(Q'ty):Necessary quantity example)D2,D3

⑨ Bracket for motor(including coupling)

Blank : None

Symbol	Motor	Model			
		40	60	80	100
E1	100W	●	●		
E2	200W/400W	●	●	●	●
E3	750W			●	●

Basic option : Mitsubishi, Yaskawa, Sanyo

⑩ Customized code

Sensor

Model	Item number	Sensor and connector
40	SX671-PL	 EE-SX671 + EE1001
60		
80		
100		
40	SX671-L-PL	 EE-SX671 + EE1006
60		
80		
100		

Sensor dog

Model	Item number	Remarks
40	PDG-M40-PL	EE-SX671only
60	PDG-M60-PL	
80	PDG-M80-PL	
100	PDG-M100-PL	

Sensor bracket

Model	Photo sensor for single	Photo sensor for double
40	PSBS-40-PL	PSBD-40-PL
60	PSBS-60-PL	PSBD-60-PL
80	PSBS-80-PL	PSBD-80-PL
100	PSBS-100-PL	PSBD-100-PL

Mounting bracket

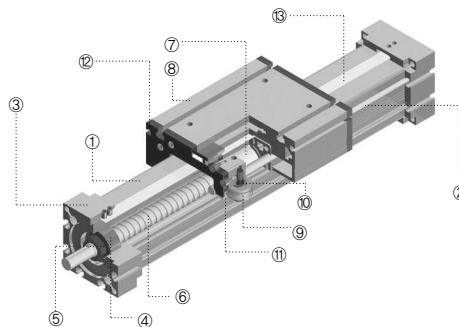
Model	Item number	Remarks
40	MBK40-PL	
60	MBK60-PL	
80	MBK80-PL	
100	MBK100-PL	

Mz specification

Specification	MZ40	MZ60	MZ80	MZ100
Max speed (mm/s)	500	1250	1250	1600
Payload (kgf)	30 (horizontal), 10 (vertical)	50 (horizontal), 30 (vertical)	60 (horizontal), 35 (vertical)	120 (horizontal), 70 (vertical)
Stroke (mm)	Rolled Max. 3500	Rolled Max. 5500	Rolled Max. 5500	Rolled Max. 5500
Repeatability (mm)	± 0.025	± 0.025	± 0.025	± 0.025
Ball screw / Lead (mm)	Ø16 / L05 (L0L)	Ø25 / L10 (L25)	Ø25 / L10 (L25)	Ø25 / L10 (L25) Ø32 / L32
No load torque (Nm)	0.25 / 0.44	0.6 / 0.8	0.6 / 0.8	0.6 / 0.8 / 0.9
Track roller guide	S:4 roller bearing standard / T:S type + 4 roller bearing			
Basic weight (kgf)	1.9	5.8	11	20
Weight per 100mm stroke (kgf)	0.38	0.86	1.7	2.2
Motor (W)	100 ~ 200	200 ~ 400	400 ~ 750	750
Size (mm, W x H)	40 x 64	60 x 90	80 x 121	100 x 155

Note) Customized options such as motor, raydent, LM guide and ball screw are available.

MZ structure



► Component list

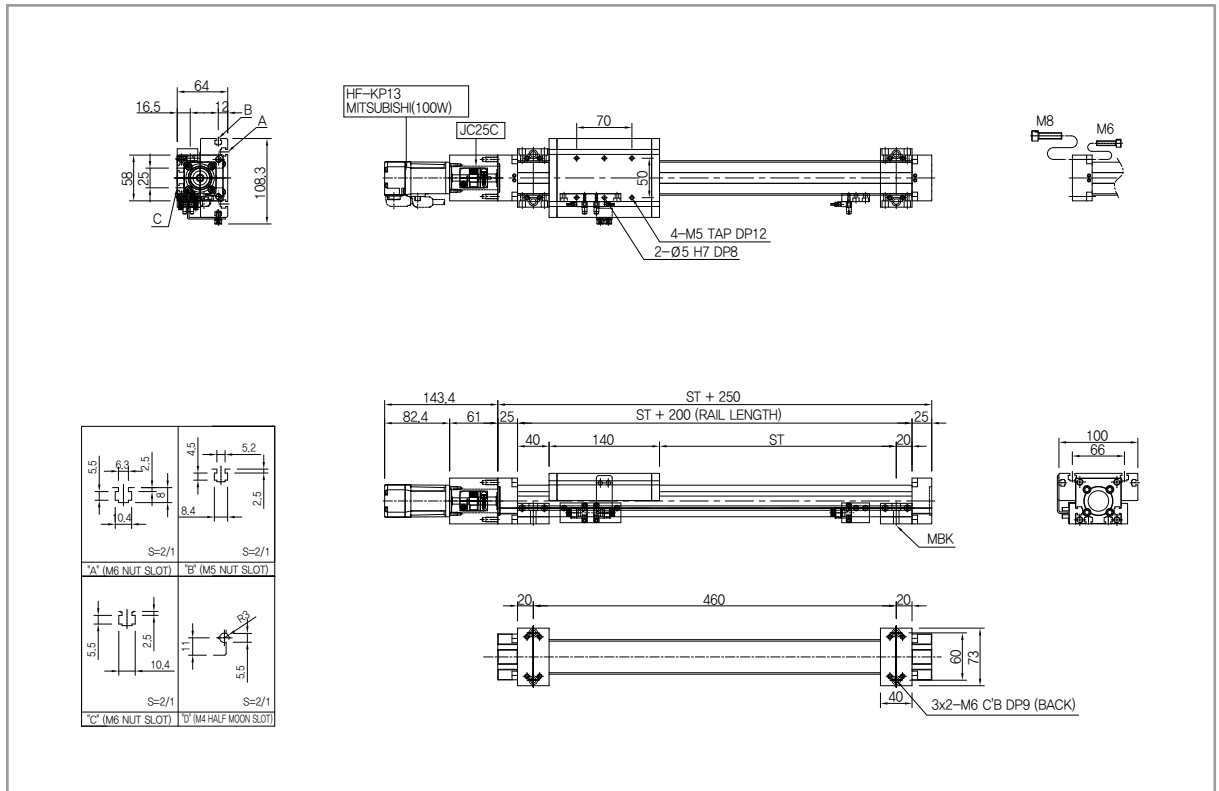
No	Component name		Material	No	Component name	Material
1	Rail		Aluminum alloy	8	Slider	Aluminum alloy
2	Model	LM GUIDE	Bearing steel	9	Track roller	Bearing steel
	40	Ø6				
	60	Ø10				
	80	Ø12				
	100	Ø16				
3	Bearing housig		Aluminum alloy	10	Washer	-
4	Bearing		-	11	Wiper	FELT
5	Lock nut		-	12	Sealing	EP
6	Ball screw		Cr-Mo steel	13	Steel cover	Stainless steel
7	Ball screw nut		-			

MZ 40

Basic specifications

Model	Stroke (mm)	Lead (mm)	Speed (mm/s)	Motor (W)	Max. Payload(kg)	
					Horizontal	Vertical
MZ40	50~1500	L05	250	100	40	20
		L10	500		30	10

MZ40

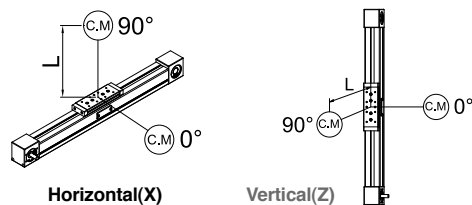


- Please contact us to change sensor or motor options.
- Customized tap or pin pitch on the bottom is available.

Weight & speed for each stroke

Stroke(mm)	100	200	300	400	500	600	700	800	900	1000	Lead (mm)	Motor (W)
Weight(kg)	3.3	3.7	4.0	4.4	4.8	5.2	5.6	5.9	6.3	6.7		
Max. Speed (mm/s)	250						230	180	150	120	L05	100
	500						470	370	300	250	L10	

Allowable overhang distance



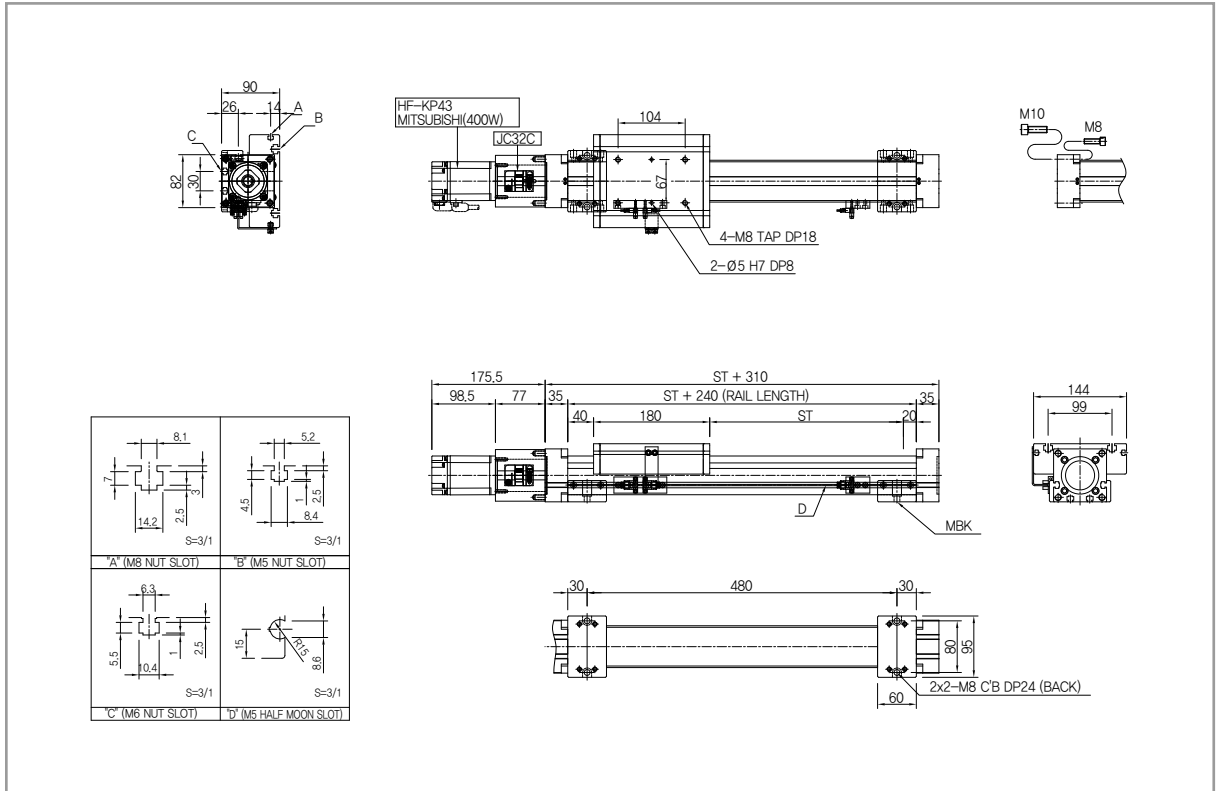
Direction	MZ40-L05		MZ40-L10		
	30 kg	15 kg	20 kg	10 kg	
Horizontal (X)	0°	10 mm	50 mm	30 mm	90 mm
	90°	200 mm	900 mm	250 mm	800 mm
Vertical (Z)		20 kg	10 kg	10 kg	5 kg
	0°	50 mm	200 mm	150 mm	400 mm
	90°	50 mm	150 mm	150 mm	300 mm

* This value is decided based on the lifetime formula of track roller guide. (The lifetime of track roller is 16,000 hours.)

Basic specifications

Model	Stroke (mm)	Lead (mm)	Speed (mm/s)	Motor (W)	Max. Payload(kg)	
					Horizontal	Vertical
MZ60	50~1500	L10	500	200	50	10
		L10	500	400	50	30
		L25	1250	400	15	10

MZ60

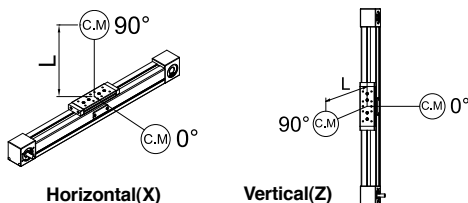


- Please contact us to change sensor or motor options.
- Customized tap or pin pitch on the bottom is available.

Weight & speed for each stroke

Stroke(mm)	100	200	300	400	500	600	700	800	900	1000	1100	1200	Lead (mm)	Motor (W)
Weight(kg)	8.7	9.5	10.4	11.2	12.1	13.0	13.8	14.7	15.5	16.4	17.3	18.1	L10	200
Max. Speed (mm/s)									490	400	340	290	L10	400
									490	400	340	290	L10	
									1190	1000	840	720	L25	

Allowable overhang distance



Direction		MZ60-L10		MZ60-L25	
Horizontal (X)		40 kg	20 kg	14 kg	7 kg
	0°	45 mm	120 mm	160 mm	350 mm
	90°	300 mm	1000 mm	600 mm	1400 mm
Vertical (Z)		30 kg	15 kg	10 kg	5 kg
	0°	100 mm	400 mm	500 mm	1100 mm
	90°	100 mm	300 mm	300 mm	600 mm

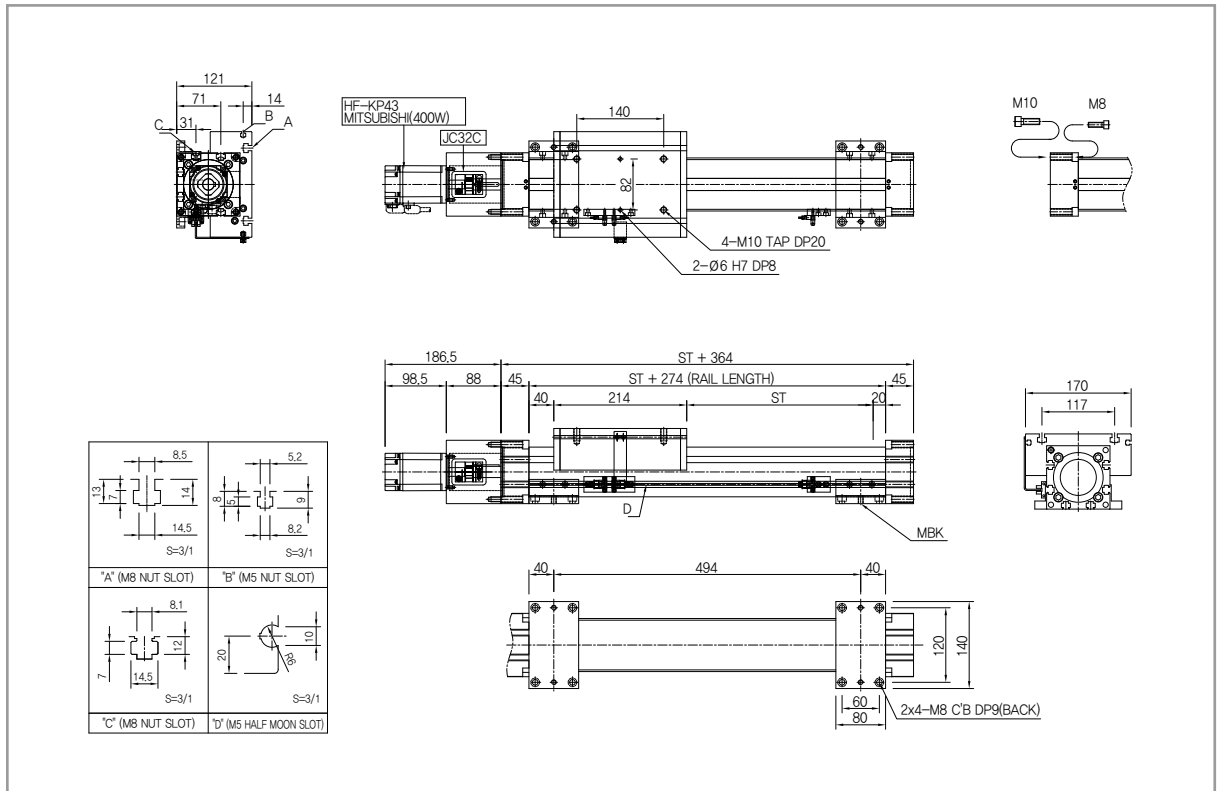
* This value is decided based on the lifetime formula of track roller guide. (The lifetime of track roller is 16,000 hours.)

MZ 80

Basic specifications

Model	Stroke (mm)	Lead (mm)	Speed (mm/s)	Motor (W)	Max. Payload(kg)	
					Horizontal	Vertical
MZ80	50~1500	L10	500	400	60	35
		L25	1250		12	8
		L25	1250	750	50	25

MZ80

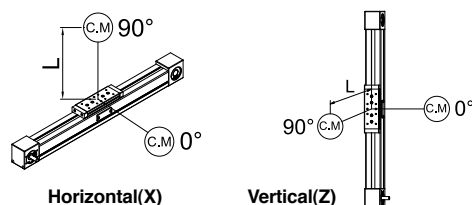


- Please contact us to change sensor or motor options.
- Customized tap or pin pitch on the bottom is available.

Weight & speed for each stroke

Stroke(mm)	100	200	300	400	500	600	700	800	900	1000	1100	1200	Lead (mm)	Motor (W)
Weight(kg)	15.7	17.4	19.1	20.8	22.5	24.2	25.9	27.6	29.3	31.0	32.7	34.4	L10	400
Max. Speed (mm/s)	500								430	360	310	260	L25	
	1250								1050	880	760	650	L25	
	1250								1050	880	760	650	L25	750

Allowable overhang distance



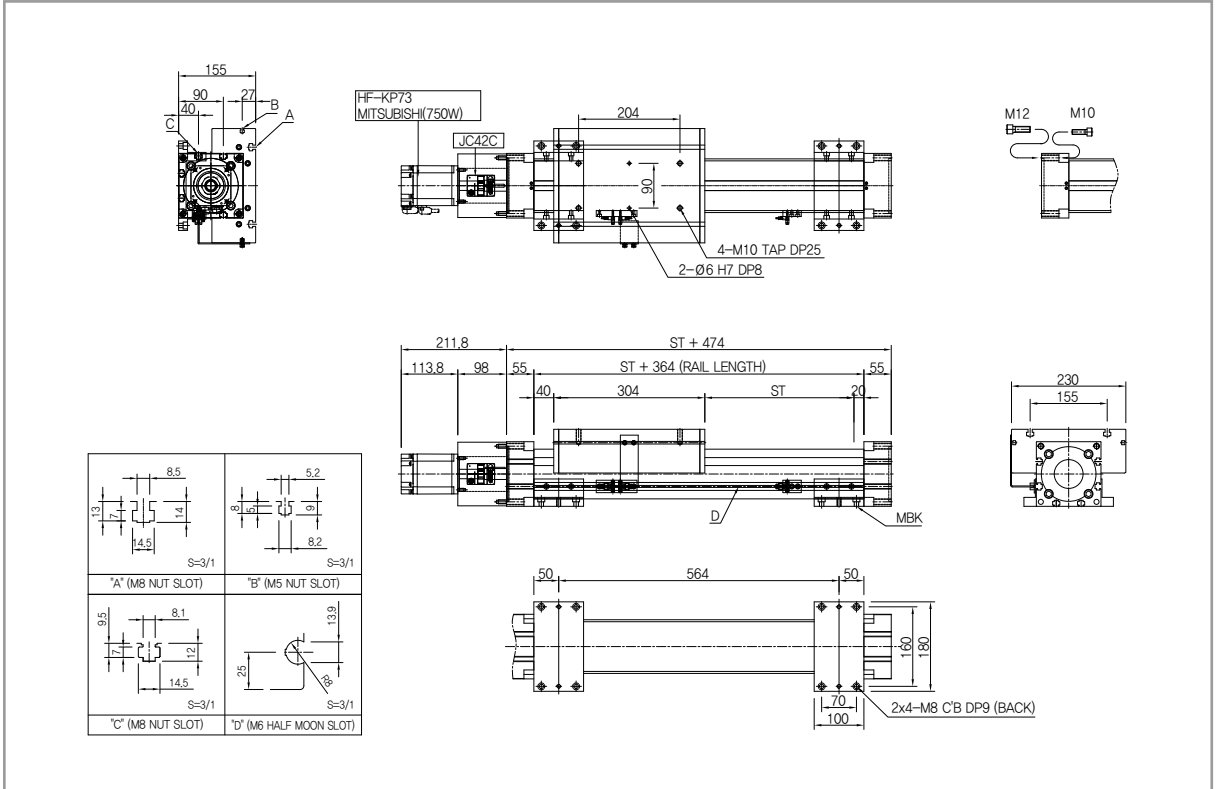
Direction	MZ80-L10		MZ80-L25		
	50 kg	25 kg	40 kg	20 kg	
Horizontal (X)	0°	20 mm	85 mm	25 mm	100 mm
	90°	100 mm	500 mm	100 mm	300 mm
Vertical (Z)		34 kg	17 kg	24 kg	12 kg
	0°	50 mm	400 mm	100 mm	400 mm
	90°	50 mm	250 mm	100 mm	250 mm

* This value is decided based on the lifetime formula of track roller guide. (The lifetime of track roller is 16,000 hours.)

Basic specifications

Model	Stroke (mm)	Lead (mm)	Speed (mm/s)	Motor (W)	Max. Payload(kg)	
					Horizontal	Vertical
MZ100	50~1500	L10	500	750	120	70
		L25	1250		100	20
		L32	1600		30	5

MZ100

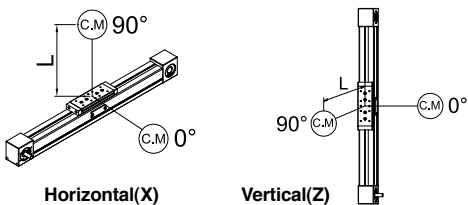


- Please contact us to change sensor or motor options.
- Customized tap or pin pitch on the bottom is available.

Weight & speed for each stroke

Stroke(mm)	100	200	300	400	500	600	700	800	900	1000	1100	1200	Lead (mm)	Motor (W)
Weight(kg)	27.2	29.4	31.6	33.8	36.0	38.2	40.4	42.6	44.8	46.0	49.2	51.4	L10	750
Max. Speed (mm/s)	500								450	380	320	280	L25	
	1250								110	930	790	680	L32	
	1600								1560	1320	1140			

Allowable overhang distance



Direction		MZ100-L10		MZ100-L25		MZ100-L32	
Horizontal (X)		100 kg	50 kg	80 kg	40 kg	30 kg	15 kg
	0°	30 mm	110 mm	40 mm	140 mm	200 mm	450 mm
	90°	200 mm	800 mm	150 mm	500 mm	500 mm	1000 mm
Vertical (Z)		60 kg	30 kg	20 kg	10 kg	10 kg	5 kg
	0°	200 mm	600 mm	800 mm	1600 mm	1000 mm	2000 mm
	90°	150 mm	350 mm	400 mm	900 mm	500 mm	1000 mm

* This value is decided based on the lifetime formula of track roller guide. (The lifetime of track roller is 16,000 hours.)